

# StablePillar™ Pedestals

## Optics

Lenses

Mirrors & Beamsplitters

Prisms & Polarizers

Filters

Pinholes

- **Rigid one piece design**
- **Stable top or side mounting of optical mounts**
- **Low beam heights achievable**
- **Stackable**
- **Ideal riser mount for Precise™ Mirror Mounts**
- **Exact beam heights in inch and metric sizes**



## Opto-mechanics

Breadboards & Rails

Mounting Hardware

Mirror & Component Mounts

Manual Micro Positioners

Motorized Positioners

Ealing's StablePillar™ Pedestals provide a fixed height, high stability mounting surface that is ideal for mirror mounts and other optical component mounts. Their one piece design with an integral flanged base and 25 mm diameter body makes them less sensitive to vibrations than conventional half-inch posts. They can be clamped in place anywhere on an optical table using any of Ealing's four types of StablePillar Clamps. StablePillar Pedestals are available in a range of fixed heights that correspond to the most common optical axis heights.

When vertical adjustment of a component or an intermediate height is required component holders can be

### Extending StablePillar™

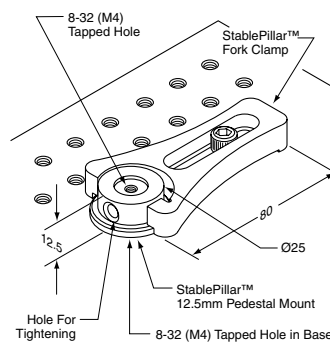
StablePillar Pedestals can be increased in length or height using StablePillar Extenders described on the following page. When combined with these extenders and various carriers three dimensional structures can be constructed.



side-mounted on a carrier and locked in place at the desired height.

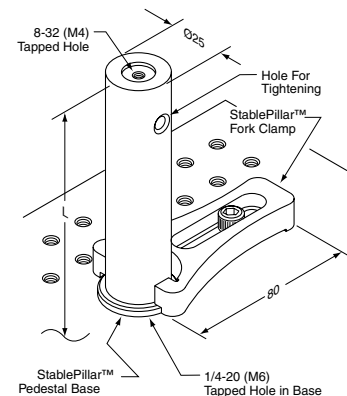
Optical axis heights as low as 28 mm can be achieved using the shortest height StablePillar Pedestal which is just 12.5 mm (or 0.5 inch) tall. This 12.5 mm (0.5 inch) pedestal has an M4 (8-32)

### 53-9379/61-9379 12.5 mm/0.5 inch StablePillar Pedestal



tapped hole in its base allowing it to be directly mounted to MicroMech™ translation stages or 19 mm Rail Carriers. All other StablePillar Pedestals have larger M6 (or 1/4-20) tapped mounting holes in their base allowing for direct mounting to stages, optical tables etc.

### StablePillar Pedestals longer than 12.5 mm



### StablePillar Pedestals

Catalog Number Metric	Length L (mm)	Catalog Number Inch	Length L (inch)	Price US
53-9379	12.5	61-9379	0.5	\$19.00
53-9387	25.0	61-9387	1.0	\$19.00
53-9395	37.5	61-9395	1.5	\$19.00
53-9403	50.0	61-9403	2.0	\$19.00
53-9411	75.0	61-9411	3.0	\$19.00
53-9429	100.0	61-9429	4.0	\$29.00
53-9437	125.0	61-9437	5.0	\$32.00
53-9445	150.0	61-9445	6.0	\$34.00