

# NATIONAL APERTURE, INC.

P: 800-360-4598 ~ F: 603-893-7857

HOME APERTURE PRODUCTS MOTION PRODUCTS TECHNICAL INFO TERMS CONTACT US

## Miniature Pinhole and Slit Positioners

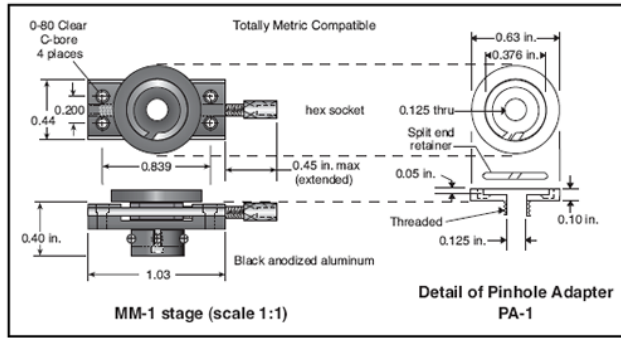
Select by Part No. Prefix:

--Select--

### Model MM-1XY/PA

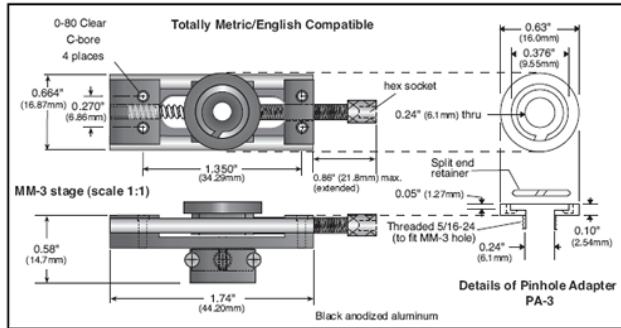
#### Specifications

Travel: 0.125 inch, X and Y  
 Screw Pitch: 80 TPI  
 Sensitivity: 0.5µ  
 Backlash: 0  
 Weight: 11g

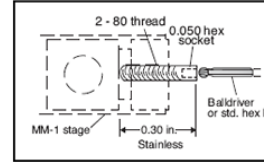


#### Specifications

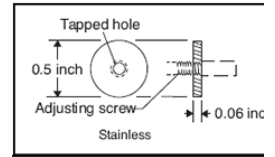
Travel: 0.50 inch, X and Y  
 Screw Pitch: 80 TPI  
 Sensitivity: 0.5µ  
 Backlash: 0  
 Weight: 35g



#### Accessories for MM-1

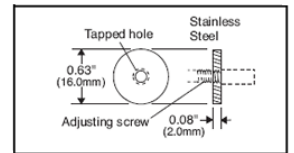


SS-1 Headless Adjusting Sc [description]

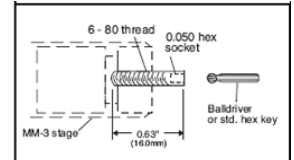


TG-1 Thumb Grip [description]

#### Accessories for MM-3



TG-3 Thumb Grip [description]



SS-3 Headless Adjusting Sc [description]

#### Items List

Part No.	Qty	Price	Subtotal
<b>Total: \$0.00</b>			
<a href="#">clear items</a>			

Review & Confirm

National Aperture, Inc. 5 Northwestern Drive Salem, NH 03079  
800-360-4598 • 603-893-7393 • FAX 603-893-7857  
Copyright © 2013. All Rights Reserved.  
Designed by [Web-Kare, LLP](#).