



Gocator

2100 SERIES

Entry-Level 3D Laser Line Profile Sensors

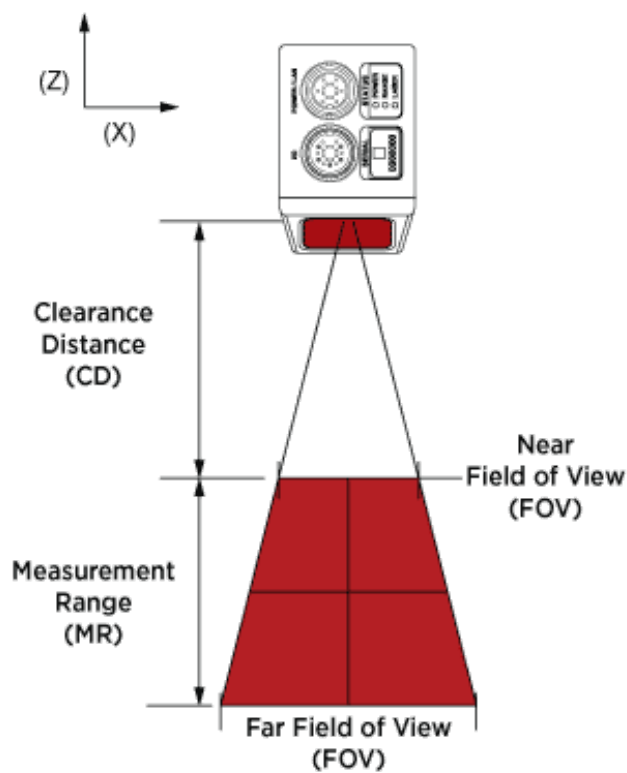
Use Gocator® 2100 for cost-effective inline quality inspection applications where the highest resolution is not required.

- VGA imager. 640 points per profile resolution
- Field-of-view up to 1260 mm
- Measurement range up to 1350 mm

[DOWNLOAD DATASHEET \(/NODE/1966\)](/node/1966)

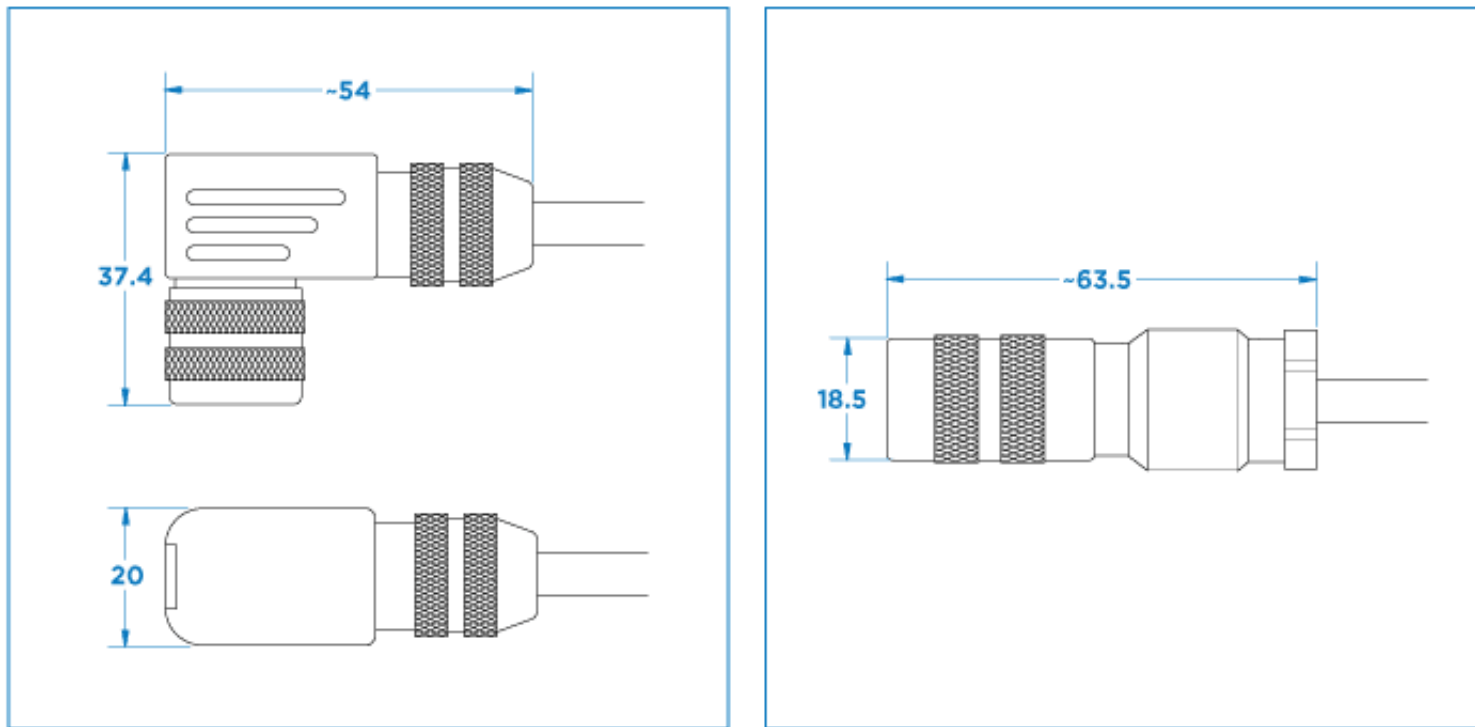
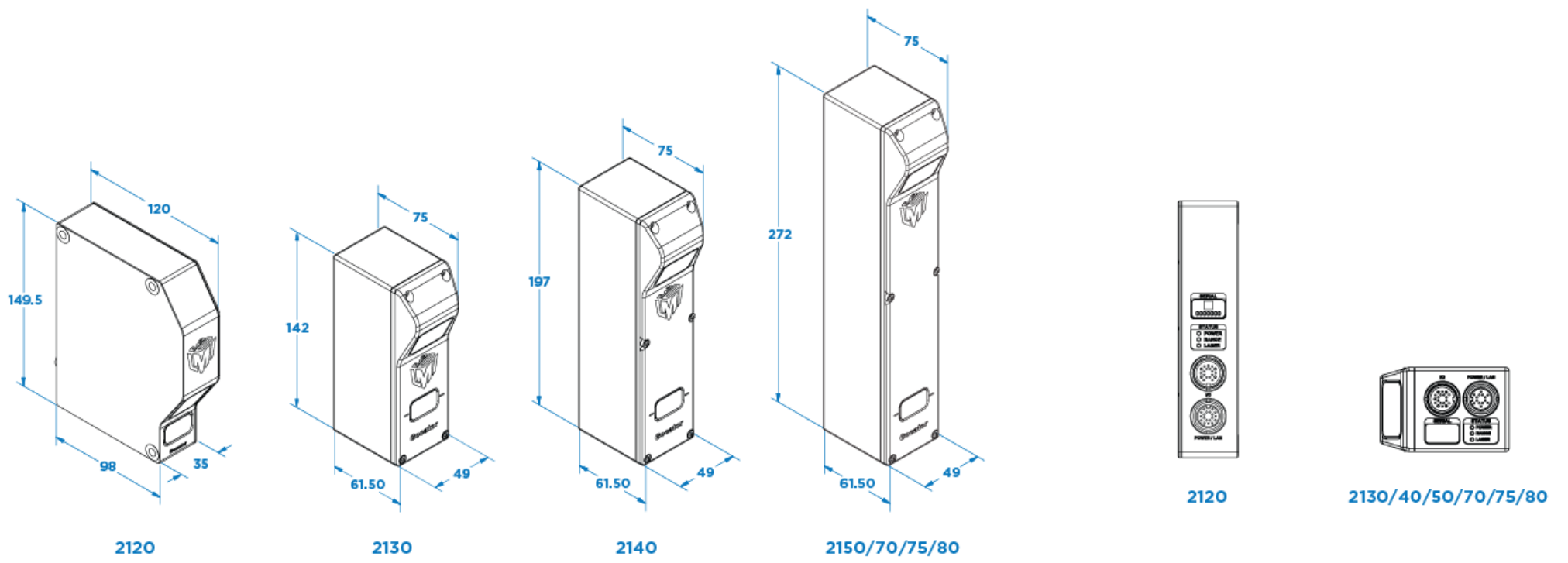


QUICK SPECS



| Model | 2120 | 2130 | 2140 | 2150 | 2170 | 2175 |
|-------------------------|--------|-------|--------|---------|---------|----------|
| Resolution X (mm) | 0.028 | 0.088 | 0.19 | 0.3 | 0.55 | 0.51 |
| Resolution Z (mm) | 0.0018 | 0.006 | 0.013 | 0.019 | 0.055 | 0.175 |
| Field of View (mm) | 18-26 | 47-85 | 96-194 | 158-365 | 308-687 | 324-1010 |
| Clearance Distance (mm) | 40 | 90 | 190 | 300 | 400 | 650 |
| Measurement Range (mm) | 25 | 80 | 210 | 400 | 500 | 1350 |

MECHANICALS



90 Degree Connector / Straight Connector

Test Drive a Virtual Gocator® 3D Smart Sensor

The ultimate sensor emulator is here.

Choose from a variety of application scenarios, then use an exact duplicate of the Gocator interface. Perform measurements on pre-recorded data from a variety of scanned components—all in a web browser-based "virtual sensor" environment. Right from your desktop. Without the need for a physical sensor. You can use Emulator online, via download, or for sample testing of your part.



[GET STARTED NOW \(/VIRTUAL-3D-SMART-SENSOR\)](https://lmi3d.com/products/gocator/g2/2100-series)

FactorySmart® Sensors

Increase your quality and productivity with smart 3D for the factory

[CONTACT US \(/CONTACT\)](#)



<https://lmi3d.com/support>

All LMI products are backed by documentation and a team of experts to help you.

[PRODUCT SUPPORT](#)

<https://lmi3d.com/support>



<https://lmi3d.com/contact>

Please contact us if you have any questions about your LMI implementation or product.

[CONTACT US](#)

<https://lmi3d.com/contact>



<http://support.lmi3d.com/kb.php>

Our Knowledge Base has a wealth of information about 3D technology and its applications.

[KNOWLEDGE BASE](#)

<http://support.lmi3d.com/kb.php>

[PRIVACY POLICY \(/NODE/221\)](#) | [TERMS & CONDITIONS \(/NODE/226\)](#) | [TWITTER](#) | [YOUTUBE](#) | [LINKEDIN](#)

© 2020 LMI TECHNOLOGIES INC. ALL RIGHTS RESERVED.