

## Galileo Pro Portable Alignment Laser Module Laserglow Part Number: GGE005XXX

### Similar Products:

For information about the other lasers in this product family visit:

<http://www.laserglow.com/GGE>

### Ordering:

Order Online Now or Request Quote:

<http://www.laserglow.com/GGE005XXX>

### Series Specifications:

Nominal Wavelength	532 nm
Output Type	CW
Laser Source Type	DPSS



May not be exactly as shown. See dimensional drawing for details.

### Overview:

Galileo Pro with adjustable beam alignment. Adjustable set screws can be used to direct the beam parallel to the housing, as beams in most hand-held laser pointers are not guaranteed parallel. This makes the Galileo PRO a perfect choice where the body of the laser should serve as your alignment guide, or when the laser rotates on a shaft.

### Key Features:

- **Starting at: \$99**
- **Output Power:** 3 mW - 5 mW (model dependent)
- **Casing:** Hard Anodized black machined aluminum
- **Wavelength:** 532 nm (green)
- **Key Feature:** 100% continuous operation
- **Key Feature:** 4 Adjustable set screws to allow beam steerage
- **Package Includes:** Portable laser, battery, Allen key, carrying case, instructions/warranty.
- **Safety Info:** Complies with Class IIIa regulations.
- **Duty Cycle:** 100%

Quality, safety and unique features make Laserglow the leader in green pointers. [Learn more here.](#)

## Specifications:

This spec sheet has been generated specifically for part number GGE005XXX, per your request, and data for the entire series is also displayed for your reference. The specs which are specific to GGE005XXX have been highlighted below in **red + bold**.

Laser Form Factor	<b>GGE</b>
Output Power (mW)	<b>&gt;3,&lt;5</b>
FDA Safety Class	<b>IIIa</b>
Central Wavelength (nm)	<b>531.65</b>
Divergence (mrad, full angle)	<b>&lt;1.2</b>
Beam Diameter (mm, 1/e <sup>2</sup> )	<b>1.5</b>
Transverse Mode	<b>TEM00</b>
Longitudinal Modes	<b>Multiple</b>
Approximate Peak Power (W)	5
Operating Temperature Range (°C)	<b>15 to 35</b>
Storage Temperature Range (°C)	<b>-10 to 50</b>
Total Power Consumption (W)	<b>2</b>
Max. Power Input Duty Cycle	<b>100%</b>
Cooling Method	<b>Passive Air</b>
Standard Warranty (months)	<b>6</b>
MTTF (operational hours)	<b>5000</b>
Weight of Laser Head (kg)	<b>0.08</b>
Laser Head Dimensions (mm)	<b>118 (l) x 20 (d)</b>
Power Supply	<b>1 x CR123A Battery</b>

CW: All specifications are based on performance at full output power and after the specified warmup period. Output characteristics may change if the laser is run at a different power level.

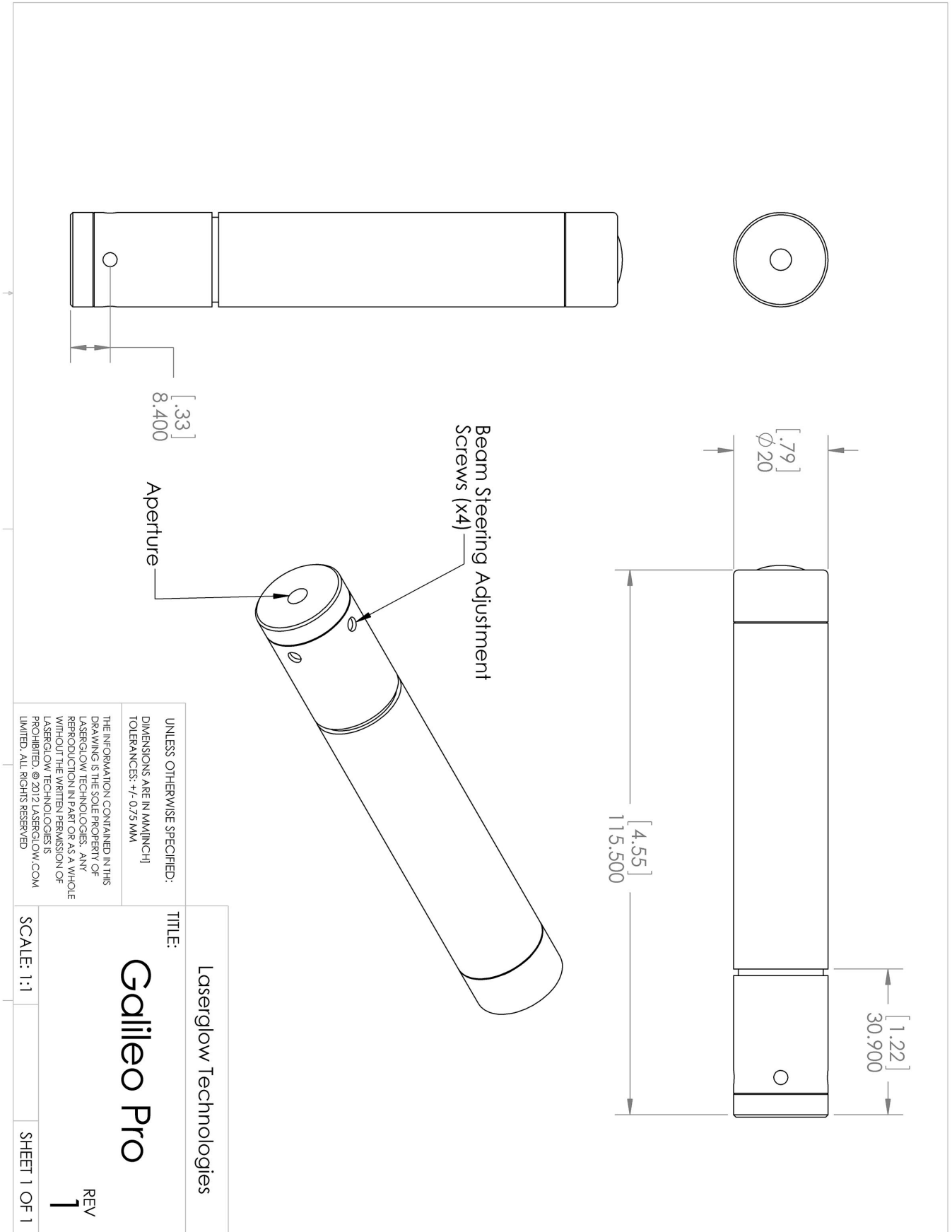
Q-Switched: Specifications are based on the laser pulsing at the specified design frequency. Output characteristics may change if the laser is run at a different frequency.

## Regulatory Classification:

The model you have selected (GGE005XXX) requires the following safety label(s):



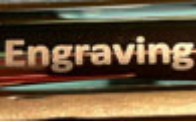


**Dimensional Drawing - Laser Form Factor: GGE:**



**Accessories:**

The most popular accessories for model GGE005XXX are shown below. For additional details regarding these or other accessories please see our website or contact us directly.

Part Number	Description	
 AGM00GXXX	Galileo GlowMount Tripod Adaptor 20.1mm ID Full Details: <a href="http://www.laserglow.com/AGM">www.laserglow.com/AGM</a>	
 ATP002XXX	ATP002XXX Compact Tabletop Tripod Full Details: <a href="http://www.laserglow.com/ATP">www.laserglow.com/ATP</a>	
 ASE001XXX	Engraving On Laser Pointer Max. 2 lines 45 characters each Full Details: <a href="http://www.laserglow.com/ASE">www.laserglow.com/ASE</a>	

**FOR MORE INFORMATION PLEASE CONTACT:**

LASERGLOW TECHNOLOGIES  
873 St. Clair Ave West, Toronto, ON, Canada M6C1C4  
Tel. (416) 729-7976 Fax (480) 247-4864  
[sales@laserglow.com](mailto:sales@laserglow.com) [www.laserglow.com](http://www.laserglow.com)

E&OE: Data included in this sheet may be subject to change without notice.

Please confirm critical specifications with our staff prior to ordering.