



FPYL-532-X.XW-LN-LED

Green Low Noise High Power DPSS Laser

Specifications

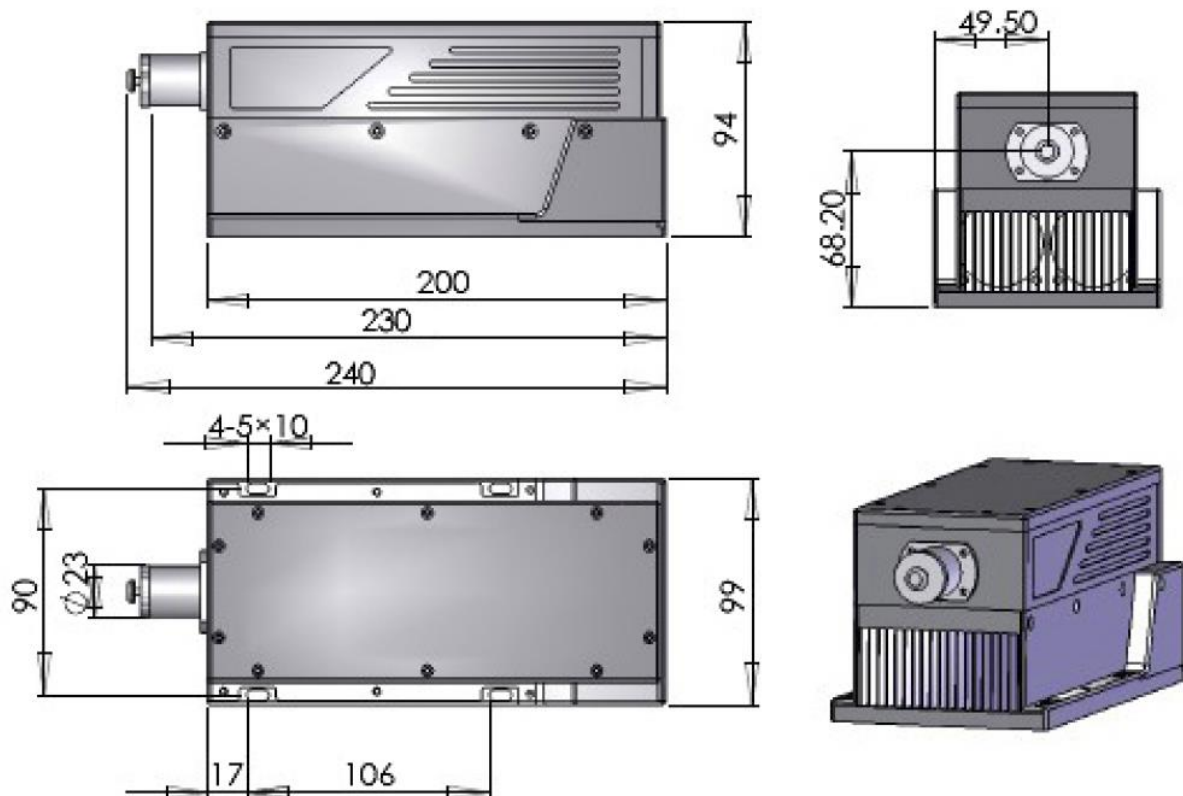
Wavelength (nm)	532±1
Output Power (W)	3.0 – 5.0*
Transverse Mode	Near TEM ₀₀ (TEM ₀₀ optional)
Operating Mode	CW
Power Stability (RMS, over 4 hours)	<1%, <3%, <5%*
Noise of Amplitude (RMS, 1-20MHz)	<1%, <3%*
Warm-up Time (minutes)	<10
M ² Factor	3~5 (<1.3 optional)
Beam Diameter at the Aperture (mm)	~3.0 (~1.5 optional)
Beam Divergence (full angle) (mrad)	<1.5
Beam Height from Base Plate (mm)	68.2
Polarisation Ratio	>100:1
Beam Pointing Stability (µrad/°C)	<80
Expected Lifetime (hours)	10000
Operating Temperature (°C)	10 - 35

*To be specified

Laser Head Drawing



240(L)×99(W) ×94(H) mm³, 2.6 kg



Power Supply Drawing



268 (L) ×145(W) ×106 (H) mm³, 2.6 kg

