



FPYL-473-XXXT-SLM

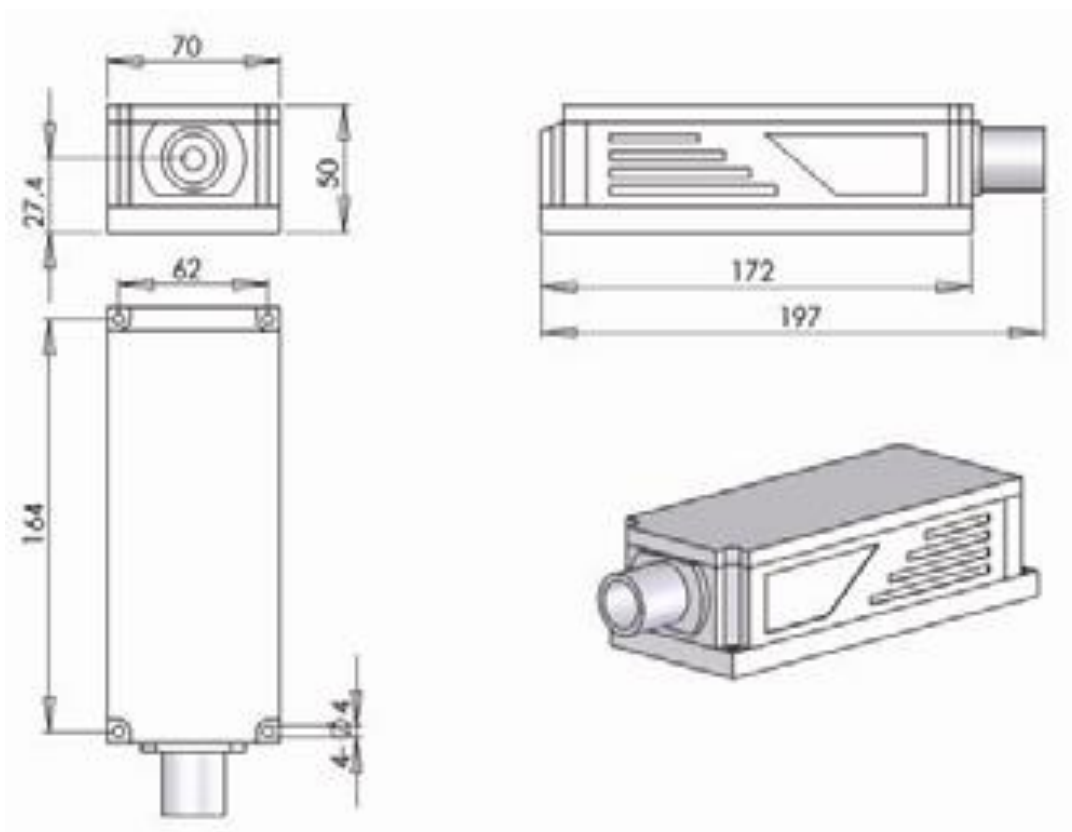
Blue Single Frequency DPSS Laser

Specifications

Wavelength (nm)	473±1
Output Power (mW)	1 - 100*
Transverse Mode	TEM ₀₀
Longitudinal Mode	single
Operating Mode	CW
Power Stability (RMS, over 4 hours)	<1%; <3%, <5%*
Warm-up Time (minutes)	<10
M ² Factor	<1.2
Spectral Width (FWHM) (nm)	<0.00001
Coherence Length (m)	>50
Beam Divergence (full angle) (mrad)	<1.2
Beam Diameter at the Aperture (1/e ²) (mm)	<2.5 (typical 2.0)
Beam Height from Base Plate (mm)	27.4
Polarization Ratio	>100:1 (vertical) (horizontal optional)
Pointing Stability after Warm-up (mrad)	<0.05
Noise of Amplitude (RMS, 1Hz-20MHz)	<1% (typical <0.5%)
Expected Lifetime (hours)	10000
Operating Temperature (°C)	15 - 35
Power Supply	90 – 264VAC (self-adjusting)

* To be specified

Laser Head Drawing



Power Supply Drawing

