

Product Features

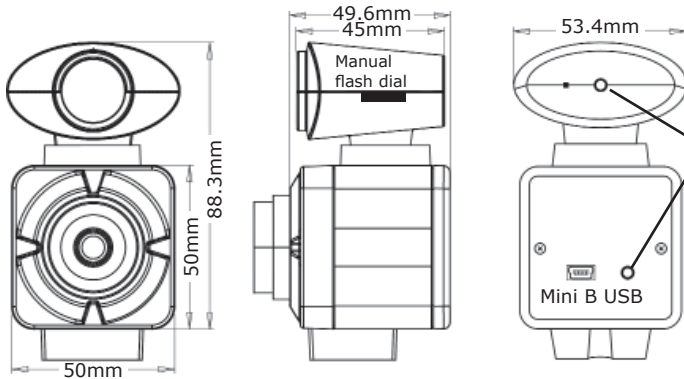
- **Synchronized USB powered LED flash for consistent high quality images in any environment**
- 1.3 megapixel progressive scan sensor
- >12.5fps at 720p high definition uncompressed resolution
- Separate formats supported for streaming video and still image capture
- Both Compressed (MJPEG) and Raw video outputs supported
- USB 2.0 bus provides power, camera and flash control
- Tripod 1/4 20 mount is attached to base
- Support for dual flash operation for compliance with ISO/IEC 19794-5
- Convenient manual dial allows customized flash intensity

Software

- USB 2.0 viewer software and Microsoft Digitally Certified WDM Device Drivers for 32bit and 64bit Windows operating systems in process
- TWAIN compliant
- FIPS 201 compliance (in conjunction with appropriate software)
- Full SDK available for integration into customer applications
- Select Linux drivers available



Shown with 8mm lens and tripod 1/4 20 mount



Note: Flash will not operate if cable isn't properly seated

Included cables:
60C1138 2.5mm stereo 6" long
60C1147 mini USB cable 10ft long

Technical Specifications

Electrical	24C7.38USB-F-L8
Sensor	1/3" CMOS
Flash	High powered white LED (manually adjustable)
Viewer Display	1280 x 1024 max
Max Frame Rates (Uncompressed)	7.5 fps @ SXGA (1280 x 1024) 12fps @ XGA (1024 x 768) 25fps @ VGA (640 x 480)
Sensitivity	< 2.0 Lux (50 IRE) F1.2, 3200K, lens transmission 80%, scene reflection 75%
Signal to Noise Ratio	>45 dB (AGC off)
Gamma	0.45 default (1.0 via software)
Gain Control	Automatic 36 dB (AGC default) or Fixed options via software
Scan Mode	Progressive scan
Mirror Mode	Yes (horizontal/vertical)
Shutter Mode	Rolling shutter
Control Communication	Camera control via USB bus
Synchronization	Internal
Back Light Compensation	Default on (selectable via software)
White Balance Mode	AWB auto white mode, Fixed modes selectable via software
Contour Enhancement	Default on
Iris Control	Electronic shutter
Shutter Speeds	Fixed (NTSC) 1/12 to 1/100 Fixed (PAL) 1/15 to 1/120
Automatic	
Video Output	USB 2.0
Power Supply	5VDC via USB 2.0 bus
Power Consumption	< 0.6W

Mechanical

Dimensions	50mm x 50mm x 88.3mm (1.97" x 1.97" x 3.48")
Weight (w/flash)	195g (0.43lb)
Lens	8mm f1.8 megapixel lens
Included Cables	60C1138 - 2.5mm stereo, 6" plug to plug 60C1147 - mini USB cable, 10ft
Tripod Mount	1/4 20 mount for easy mounting capability

Environmental

Operating Temp.	-15° C ~ 55° C (5° F ~ 131° F)
Operating Humidity	20% up to 93%RH
Storage Temp.	-25° C ~ + 70° C (-13° F ~ 158° F)
Storage Humidity	Up to 98%RH
Lifetime MTBF	>150,000 hrs

Software

Viewer (included) SFT-07019	<ul style="list-style-type: none"> • WDM device drivers • TWAIN compliant (requires driver installation)
SDK (optional) SFT-07019-SDK	Complete software development kit and support for OEMs

Recommended System Requirements

Hardware	Pentium IV	2.3GHz +, 1GB hard drive, Intel USB 2.0 Host controller
Software	Windows 7, 8, 10	32 bit and 64 bit
	Windows Vista	32 bit and 64 bit
	Windows XP	Service pack 2 +, DirectX 9.0c or above

Government Compliance

Standards	FIPS 201 In conjunction with appropriate software
	RoHS, ISO/IEC 19794-5 under the proper set up environment